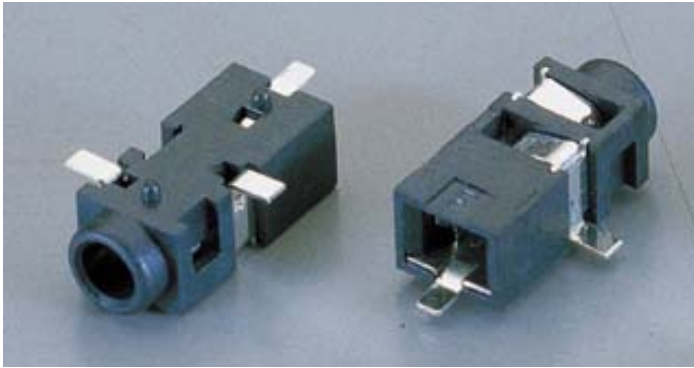


MR-AJ406A-Series



2.5mm Audio Jack for Audio Application Through Hole

**Mechanical Characteristics**

**Connector Terminals:**

Copper Alloy, Silver over Nickel Plating

**Connector Housing:**

Insertion Force : 0.4kg – 3.0kg

Extraction Force: 0.3kg – 3.0kg

Durability: 5000 Mating Cycles

**Material and Finish**

**Through Hole**-PBT Thermoplastic, UL94V-0 Black Body

**Surface Mount**- High Temperature Thermoplastic, UL94V-0 Black Body

**Electrical:**

**Contact Resistance:**

Before Durability Test: 50 Milliohms Max

After Durability Test: 100 Milliohms Max

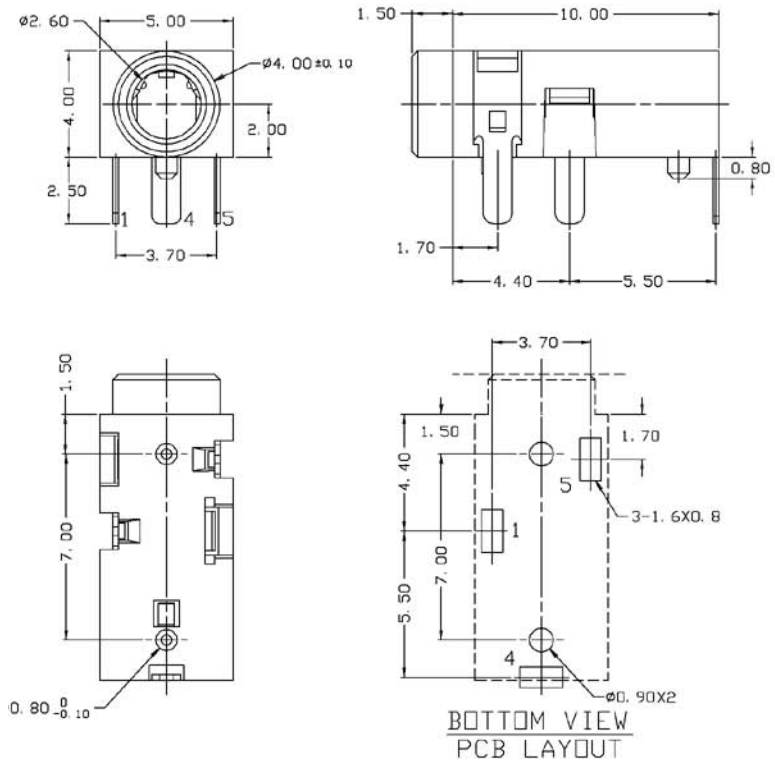
Insulation Resistance: 100 Megohms Min @ 250VDC

Dielectric: 250V AC 1 Min

Operating Temp: -25C to +85C

**Part Numbering System:**

MR-AJ406A-3600-100 (Through Hole)



**MR-AJ406A-3630-100 (Surface Mount)**

