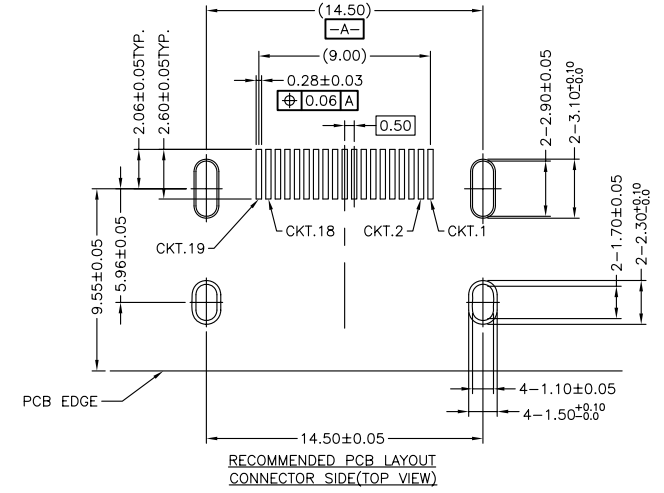
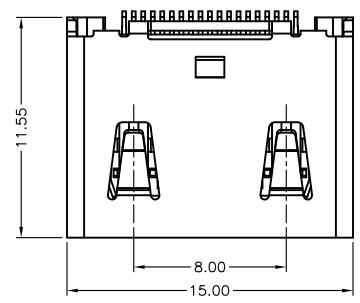


1 2 3 4 5 6 7 8 9 10

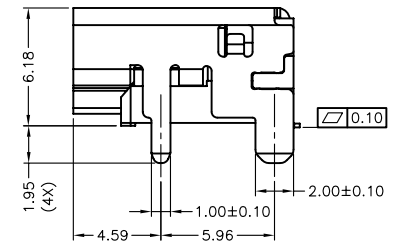
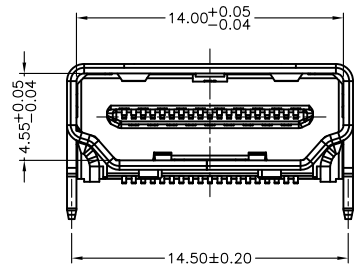
RoHS

A
B
C
D
E
F

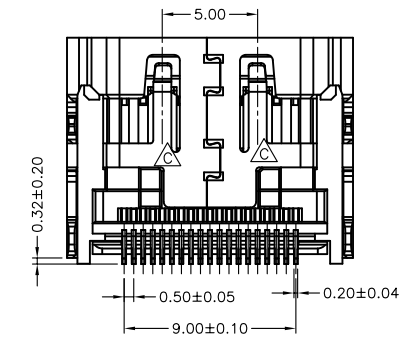
A
B
C
D
E
F



RECOMMENDED PCB LAYOUT
CONNECTOR SIDE(TOP VIEW)



NOTES:
 1.MATERIAL AND FINISH SEE THE TABLE.
 2.MECHANICAL CHARACTERISTICS
 INSERTION FORCE: 44.1N MAX
 EXTROCTION FORCE: 9.8N MIN, 39.2N MAX
 MATING CYCLE:10000 CYCLES
 3.ELECTRICAL CHARACTERISTICS
 RATING CURRENT: 0.5A
 RATING VOLTAGE: 40V
 CONTACT RESISTANCE: 10 MILLOHMS OHMS MAX
 (EXCLDUING CONDUCTOR RESISTANCE)
 INSULATION RESISTANCE:
 a, UNMATED: 100M OHMS MIN AT 500 VDC
 b, MATED: 10M OHMS MIN AT 150 VDC
 DIELECTRIC WITHSTANDING VOLTAGE:
 500V AC/1MINUTE
 OPERATING TEMPERATURE: -20°C--+85°C
 STORAGE TEMPERATURE: -20°C--+65°C



MR-A 111922-X-XX-X R: TAPE REEL
 T: TRAY
 11: HDMI-A/F
 PIN
 19: 19PIN
 10
 D: SHELL :
 01: Au 1u"
 03: Au 3u"
 05: Au 5u"
 10: Au 10u"
 15: Au 15u"
 30: Au 30u"

C	TE2010-408	2010.08.09
B	TE2010-380	2010.05.28
A	TE2010-247	2010.04.23
REV	ECN NO	DESCRIPTION
		DATE

03	T111922-A-XX-A	C2680, T=0.20		1set
02	K111922-D-0N-A	C2680, T=0.50		1
	K111922-C-0N-A	C2680, T=0.50		
01	B111922-A-XX-A	LCP UL94V-0		1
No.				
X. ± XXX	APPD:	TITLE: HDMI-A/F CONN. SMT TYPE		
.X ± 0.30	CHKD:	<h1>Micro-Ray</h1>		
.XX ± 0.25				
.XXX±	DR:			
X° ± 2°				
X° ± 1.5°				
	UNITS: mm	SCALE: NONE	PART NO: MR-A111922C(D)-XX-X	SHEFT: 10F1 REV: C

1 2 3 4 5 6 7 8 9 10