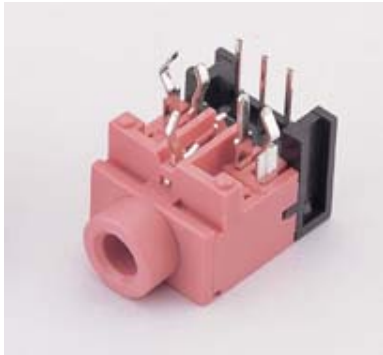


MR-OJ002A Series



**3.5mm, Circular Style, Optical Jack
Transmit or Receive**

Features:

1. Low Profile saves PC Board space.
2. Available as either transmitter or receiver
3. Conforms to JEITA standard EIAJ RC-5720

Performance Specifications

Material and Finish

Contact Resistance

Before Durability Test : 50 Meg Ohms Max

After Durability Test :100 Meg Ohms Max.

Voltage Rating: 12 VOLTS DC

Current Rating: 1.0A

Operating Temperature : -25°C TO +70°C

Resistance to Solder Heat:: 260°C ±5 sec for 5± 1 sec.

Mechanical Characteristics

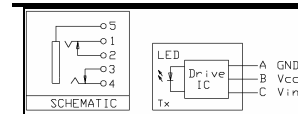
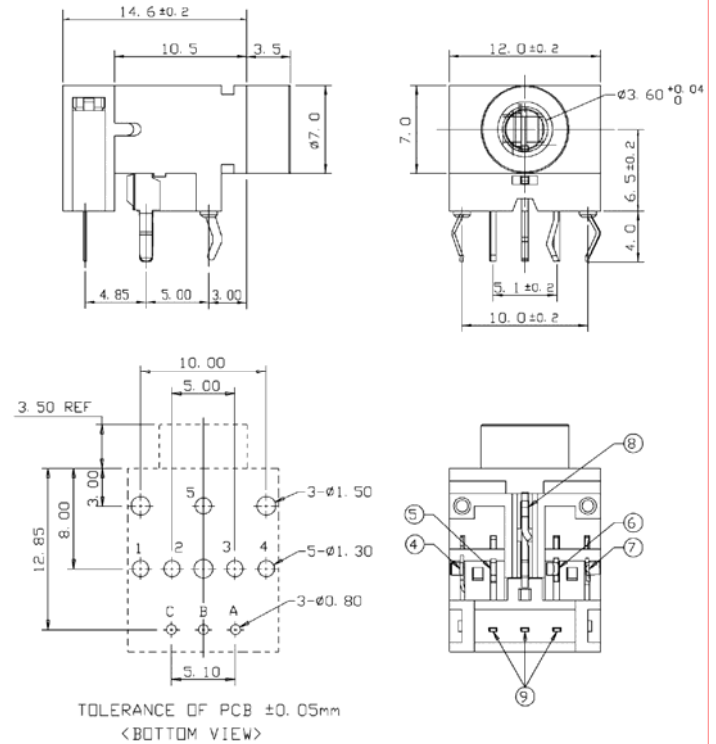
Insertion Force: 3.5 Kgs MAX.

Extraction Force: 0.3 - 4.0 Kgs:

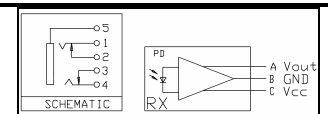
Durability: 1000 Mating Cycles

MR-OJ002A Series

Dimensions in mm



Transmit



Receive

Part Number System

MR-OJ002A-T720-200
(Transmit)

MR-OJ002A-R720-200
(Receive)