

MR-OJ101 Series



Features:

- Optical split gate version
- Provides high-speed transmission
- Available as either a transmitter or receiver option
- Conforms to JEITA-5720B

Performance Specifications

Material and Finish

Body: Thermoplastic UL94V-0 Rated, Black

Electrical Characters:

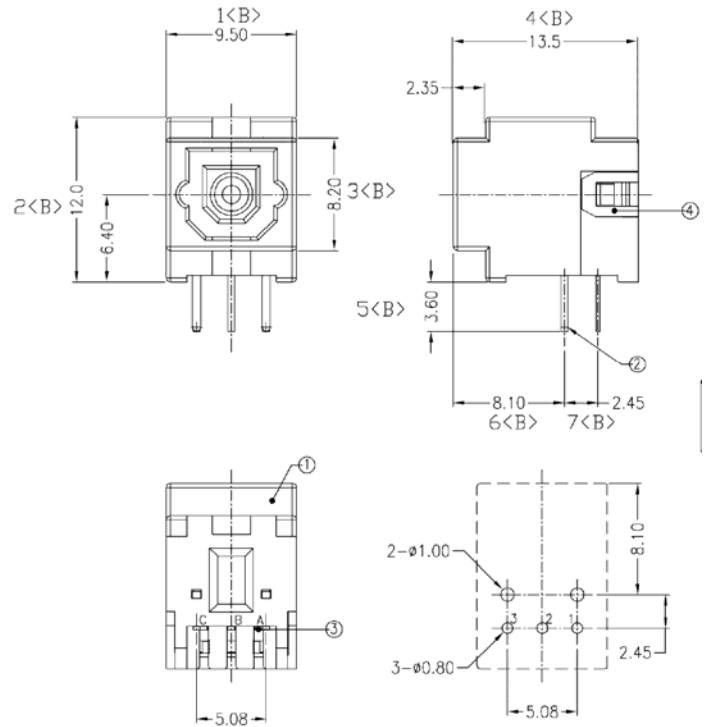
Operating Voltage: +3 ~ +5 V
 Supply Current: 10mA Max
 Operating Speed: 13.2 Mbps Max

Mechanical characteristics

Insertion Force: 4.0 Kgs MAX.
 Extraction Force: 0.4 - 4.0 Kgs:
 Durability: 500 Mating Cycles
 Operating Temperature : -20°C TO +70°C
 Resistance to Solder Heat:: 260°C

MR-OJ101 Series

Dimensions in mm



Part Numbering System:

Transmit	Lime Green
	Open Gate
MR-OJ101A-TXXX-300	Open Gate
MR-OJ101B-T600-300	Split Gate
MR-OJ101C-T603-300	Solid Gate
Receive	Pink
	Open Gate
MR-OJ101A-RXXX-300	Open Gate
MR-OJ101B-R703-300	Split Gate
MR-OJ101C-R600-300	Solid Gate