

**MR-OJ104 Series**



**Optical Audio Jack with Mounting Tab and Audio Split Gate**

**Features:**

- Optical split gate version
- Provides high-speed transmission
- Available as either a transmitter or receiver option
- Conforms to JEITA-5720B

**Performance Specifications**

**Material and Finish**

Body: Thermoplastic UL94V-0 Rated, Black

**Electrical Characters:**

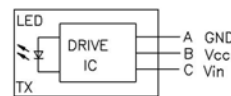
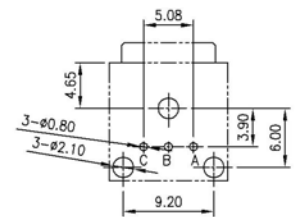
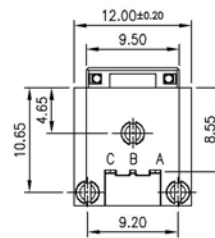
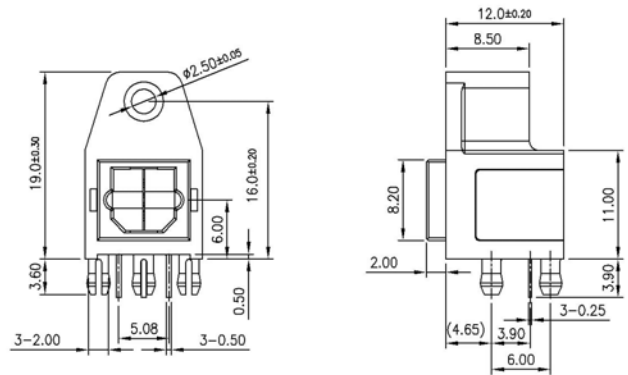
Operating Voltage: +3 ~ +5 V  
 Supply Current: 10mA Max  
 Operating Speed: 13.2 Mbps Max

**Mechanical characteristics**

Insertion Force: 4.0 Kgs MAX.  
 Extraction Force: 0.4 - 4.0 Kgs:  
 Durability: 500 Mating Cycles  
 Operating Temperature : -20°C TO +70°C  
 Resistance to Solder Heat:: 260°C

**MR-OJ104 Series**

Dimensions in mm



RECOMMENDED PCB LAYOUT  
 <BOTTOM VIEW>

NOTE : TOLERANCE FOR PCB LAYOUT IS ± 0.05

**Part Numbering System**

| Transmit                  | Lime Green        |
|---------------------------|-------------------|
|                           |                   |
| <b>MR-OJ104A-TXXX-300</b> | <b>Open Gate</b>  |
| <b>MR-OJ104B-T600-300</b> | <b>Split Gate</b> |
| <b>MR-OJ104C-TXXX-300</b> | <b>Solid Gate</b> |
| Receive                   | Pink              |
|                           |                   |
| <b>MR-OJ104A-RXXX-300</b> | <b>Open Gate</b>  |
| <b>MR-OJ104B-R600-300</b> | <b>Split Gate</b> |
| <b>MR-OJ104C-RXXX-300</b> | <b>Solid Gate</b> |