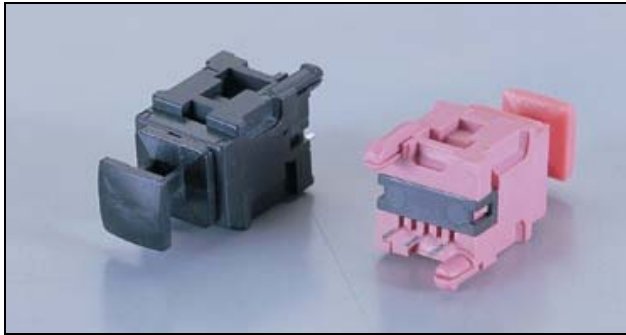


MR-OJ107 Series



Features

- Provides high-speed transmission
- Available as either a transmitter or receiver option
- Conforms to JEITA standard EIAJ RC-5720B

Performance Specifications

Material and Finish

Housing :Thermoplastic PA66 ,UL94V-0 Rated, Black Color Gate

Contact Resistance

Operating Voltage: +3 ~ +5 V

Supply Current: 15mA Max

Operating Temperature : -20°C TO +70°C

Resistance to Solder Heat:: 260°C

Max Operating Speed: 13.2Mbps

Mechanical Characteristics

Insertion Force: 4.0 Kgs MAX.

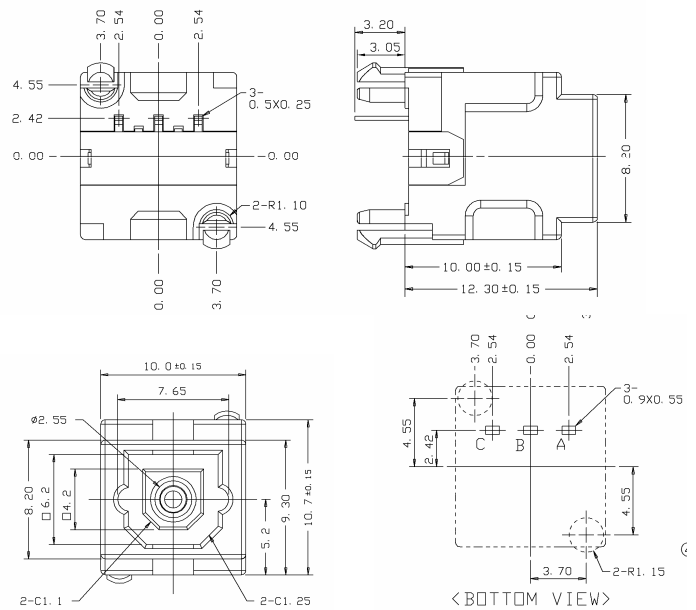
Extraction Force: 0.4 - 4.0 Kgs:

Operating Voltage : 3V- 5V

Durability: 500 Mating Cycles

MR-OJ107 Series

Dimensions in mm



Part Numbering System:

<p>(Transmit)</p>	Black
MR-OJ107A-T600-300	Open Gate
<p>(Receive)</p>	Pink
MR-OJ107A-R600-300	Open Gate