

MR-OJ802B



Stacked Optical Jack RCA Over Optical

Features:

- Fiber Plug JEITA-5720B
- Stacked options save board space and improves assembling efficiency
- Optical split gate version
- Available as either a transmitter or receiver option
- Conforms to JEITA standard EIAJ RC - 5720

Performance Specifications Materials and Finish

- Body**
: Thermoplastic UL94V-0 Rated, Black Color Optical Jack Gate :
Thermoplastic UL94V-0 Rated, Pink Color
- Shield** :Copper Alloy,Tin Plated
- RCA Barrel** : Copper Alloy,Tin Plated
- RCA Contact** : 2S,3N,5 : Copper Alloy, Tin Plated

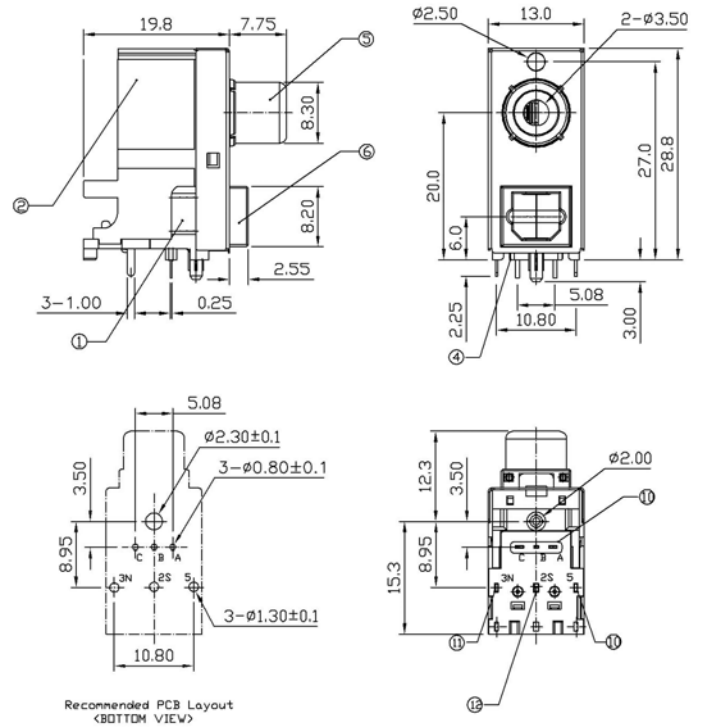
Electrical Characteristics

- Contact Resistance**
- Before Durability Test:** 30 Milliohms Max
- After Durability Test:** 60 Milliohms Max
- Insulation Resistance:** 100 Megohms Min. at 500V DC
- Dielectric Strength:** 250V AC For 1 Minute Operating
- Temperature:** -25°C to +85°C

Mechanical Characteristics

- Insertion Force:** RCA -0.3 - 5.0 kg
Optical Jack -3.5 kg Max
- Extraction Force:** RCA -0.3 - 3.0 kg
Optical Jack -0.4 kg Min
- Durability:** 5000 mating cycle

MR-OJ802B
Dimensions in mm



Part Numbering System:

MR-OJ802X-XX0X-X00

