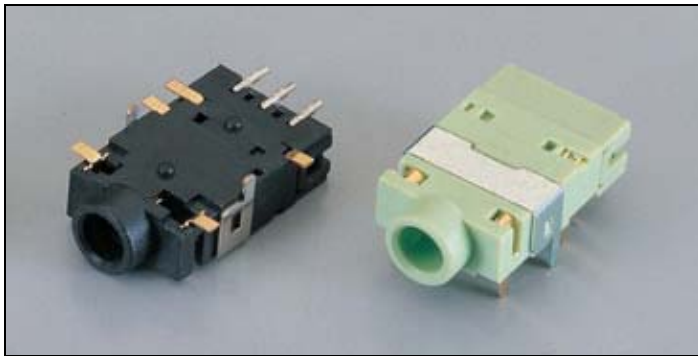


MR-OJ001



3.5mm, Circular Style, Optical Jack Transmit or Receive

Features:

1. Low Profile saves PC Board space.
2. Available as either transmitter or receiver
3. Conforms to JEITA standard EIAJ RC-5720

Performance Specifications

Material and Finish

Contact Resistance

Before Durability Test : 50 Meg Ohms Max

After Durability Test :100 Meg Ohms Max.

Housing UL94V-0 RATED

Contact: Gold Flash on contact end.

Operating Temperature : -25°C TO +70°C

Resistance to Solder Heat:: 230°C -0/+5 sec

Voltage Rating: 12 VOLTS DC

Current Rating: 1.0A

Mechanical Characteristics

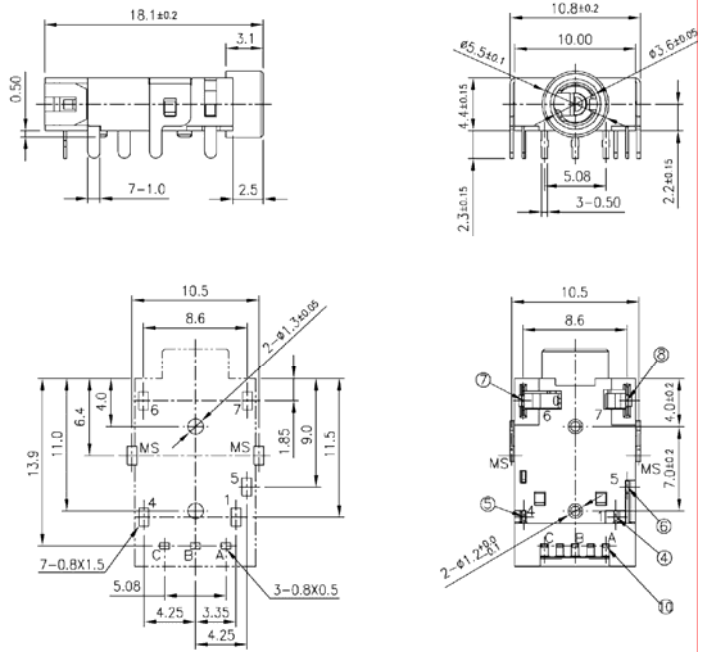
Insertion Force: 3.5 Kgs MAX.

Extraction Force: 0.3 - 4.0 Kgs

Durability: 1000 Mating Cycles

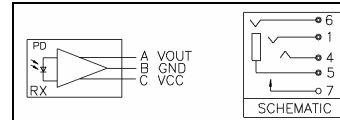
MR-OJ001

Dimensions in mm

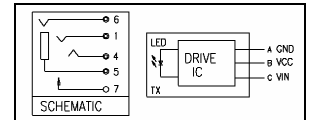


RECOMMENDED PCB LAYOUT
<BOTTOM VIEW>

NOTE : TOLERANCE FOR PCB LAYOUT IS ± 0.05



Receive



Transmit

Part Number System

MR-OJ001A-T10X-X00
(Transmit)

MR-OJ001A-R101-200
(Receive)

MR-OJ001J-T109-400
(Transmit)

MR-OJ001A-S100-400